

# ASHBY BATH SHORTENER

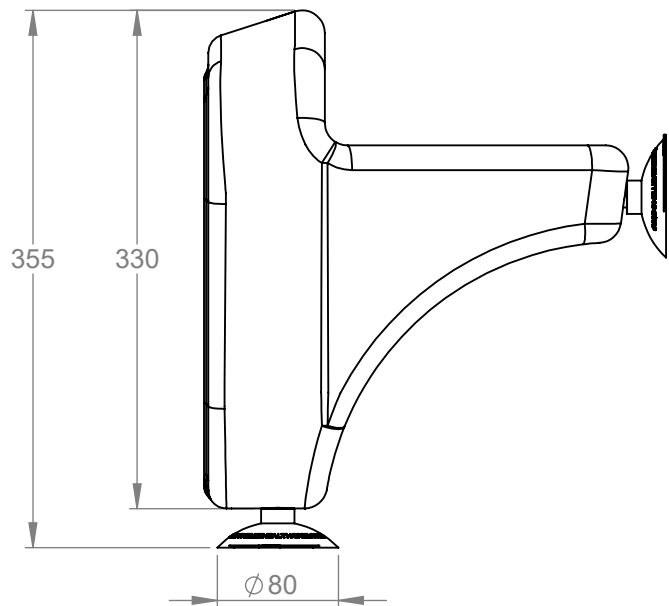
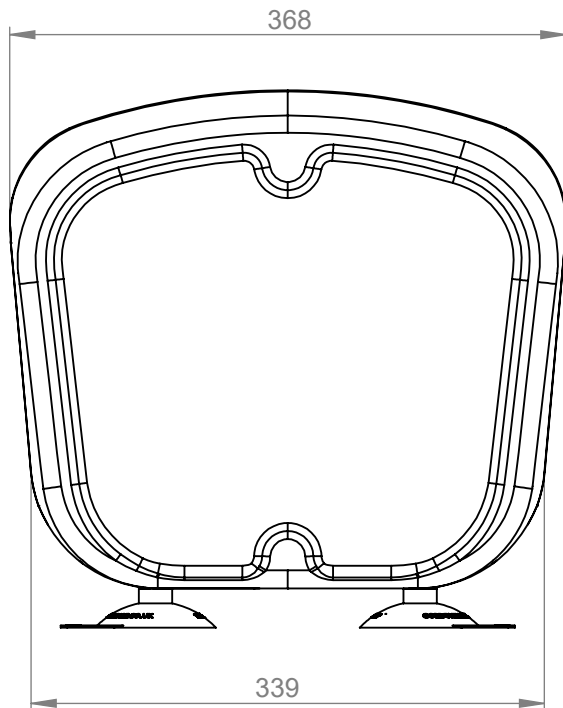
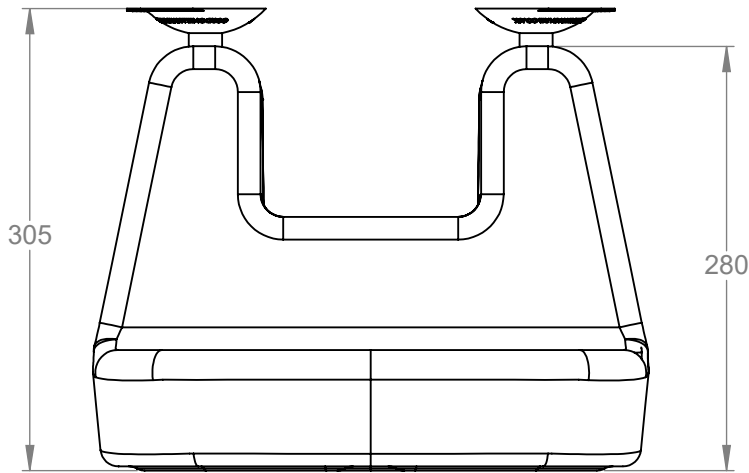
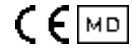
## MK2

Part No: 6290



GORDON  
ELLIS  
& CO

### PRODUCT DRAWING



### TECHNICAL SPECIFICATIONS



190 kg  
420 lbs

MATERIAL(S): MDPE, PVC



CONSULT INSTRUCTIONS FOR USE



Gordon Ellis & Co. Trent Lane, Castle Donington, Derby. DE74 2AT. England

View our entire range online at: [GordonEllisHealthcare.co.uk](http://GordonEllisHealthcare.co.uk)